

SBS-H Series

(63A)

DC Miniature Circuit Breaker

CE  CB

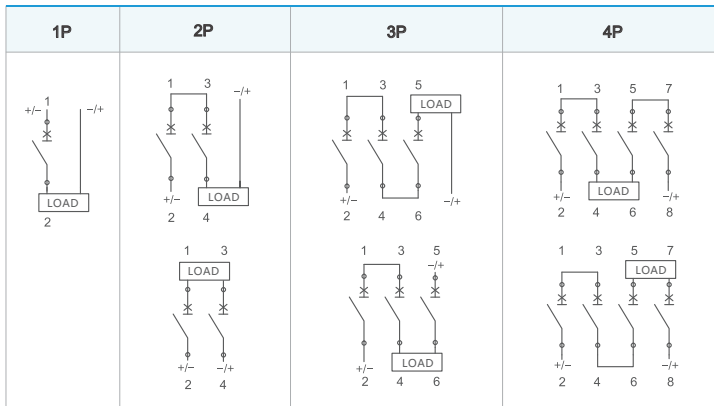


Features

DC Miniature Circuit Breakers SBS-H, with capacities of load isolation and overload/short circuit protection, are designed for PV, energy storage and other DC applications, mainly placed between batteries and hybrid inverters. Max voltage up to 1000VDC, current up to 63A. The main designing criteria of this circuit breakers is to provide scientific arc extinguishing and flash barrier technology to fulfill quick and safe current interruption. Tested according to EN 60947-2, IEC 60947.2: 2015.

- Protection Functions: overload, short circuit
- Rated short circuit breaking capacity I_{cu} up to 6 kA
- Non-polarity, Easy wiring
- Rated Current I_n up to 63A
- Rated Voltage U_e up to 1000V
- Designed for PV, energy storage and other DC applications

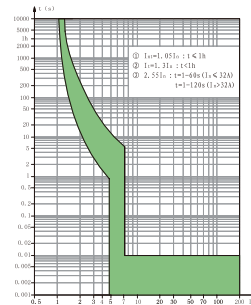
Contact Configuration



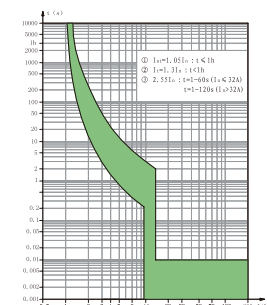
SBS-H	a	b	c	d	H
SLOCABLE DC CIRCUIT BREAKERS	RATED VOLTAGE	RATED CURRENT	TRIPPING CURVE	POLES	LOW PRESSURE
	250V 500V 750V 1000V	63A, 50A 40A, 32A 25A, 20A 16A, 10A	B C	1 2 3 4	



Tripping Characteristics

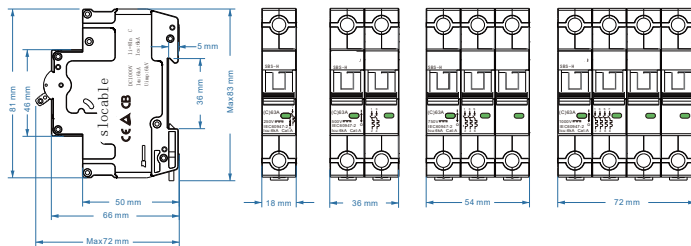


- Suitable for pure resistive load and microinductive circuit
- Available to rated current of 10A ~ 63A(63A Frame)
- Instantaneous tripping range: 4In±20%



- Suitable for general load and power distribution circuit
- Available to rated current of 10A ~ 63A(63A Frame)
- Instantaneous tripping range: 8In±20%

Dimensions



Technical data

According to EN60947-2, IEC 60947.2: 2015.

Pole		1P	2P	3P	4P
Rated Working Voltage U_e		250 V DC	500 V DC	750 V DC	1000 V DC
Frame Current		63A			
Rated Current I_n		63A, 50A, 40A, 32A, 25A, 20A, 16A, 10A			
Rated Insulation Voltage U_i		1000V			
Rated Impulse Withstand Voltage U_{imp}		6kV			
Tripping Characteristics		B/C			
Tripping Type		Thermal Magnetic			
Rated Ultimate Short-Circuit Breaking Capacity I_{cu}		6kA			
Rated Service Short-Circuit Interrupting Capacity I_{cs}		6kA			
Electrical Life	Actual	500 Cycles (63A Frame)			
	Standard	300 Cycles			
Mechanical Life	Actual	10000 Cycles (63A Frame)			
	Standard	9700 Cycles			
Overvoltage Category		III			
Pollution Degree		3			
Ingress Protection		IP40; Wiring port IP20			
Resistance to humidity and heat		Class 2			
Relative Humidity		≤ 95 %			
Vibration		acc. to IEC60068-2-6			
Shocks		acc. to IEC60068-2-27			
Terminal capacity		2.5~35mm ²			
Fastening Torque of Terminals		2.0 ~ 3.5 Nm			
Ambient Temperature		-30°C~70°C			
Storage Temperature		-40°C~85°C			
Installation Method		DIN			
Elevation		≤2000m			
Dimension		Width:72mm			
		High: 83mm			
		Depth: 72mm			
Weight		0.12kg/Pole			